

i.rod.4™ spec sheet 90CRI

LED

body illumination

flexible planar LED lighting sheet in 3000K, 3500K, or 4000K (90CRI), utilizing emitters rated at >77,000hrs L₇₀ per TM21-11 from LM80 data. silver braid power cord standard.

downlight (optional)

add ribbed extrusion downlight housing (available in 2 anodized finishes or matte white powder coat). COB in 3000K, 3500K, or 4000K (90 CRI) rated >36,000 hours L70 (6.8K) per LM-80 test data, 71,000 hours projected life per IEM TM-21. choose from four beam spreads.

downlight optics

LEDiL® Angelina 82mm dia 31mm high (RoHS compliant) available in 20° spot, 30° medium, 50° wide with specular anodized finish. 90° extra wide features matte white highly reflective finish. color mixing sublens standard. standard mounting clamp allows for easy replacement of reflector in field. the typical total beam angle is the full angle measured where the luminous intensity is half of the peak volume.

end caps

comprised of two graduated diameter .100" thick aluminum plates. designed to center the acrylic diffuser and block light leaks. powder coat painted matte white.

driver

programmable, class 2, class P universal input (120-277v), constant current, 0-10v dimming, 1% minimum dimming level, PF >.9, THD <20%, protections include open and short circuit, overload and over temperature. remote driver enclosure standard. consult factory for distances over 33 feet.

diffuser

4" dia. .118" Satinice white acrylic cylinder, featuring light diffusion beads evenly distributed throughout the material for optimum light diffusion.

mounting

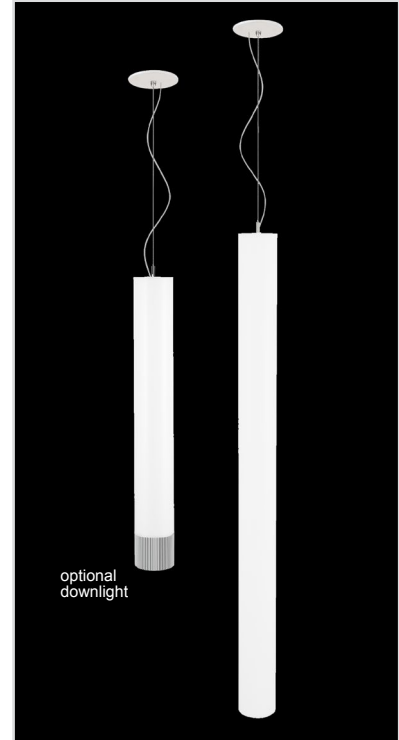
5" matte white canopy. single stainless steel cable and field adjustable gripper that allows for exact AFF mounting heights. silver braid power cord standard.

CDVR (optional)

7"dia. spun .064" aluminum canopy in matte white for surface mounted driver.

emergency

recommend use of inverter (by other).
 optional WREM: wired for remote EM battery (by other).



catalog number

size	body illumination		downlight		downlight housing finish	options
	CCT	lumens	CCT	beam		
P9312.LV (1ft) 4"dia X 12"ht	30 3000K	LO 995 lm	30 3000K	S 20° spot	AN silver anodized	6FT 72" cable
	35 3500K	HI 1400 lm	35 3500K	M 30° med	ANB anodized black	12FT 144" cable
	40 4000K		40 4000K	W 50° wide	MW matte white powder coat	CDVR surface-mounted driver canopy
			NDL no downlight	XW 90° extra wide		WREM wired for remote EM battery pack (by other) (see note above)
P9324.LV (2ft) 4"dia X 24"ht	30 3000K	LO 1400 lm	30 3000K	S 20° spot		ELD EldoLED*
	35 3500K	HI 2150 lm	35 3500K	M 30° med		LUT Lutron* *consult factory
	40 4000K	CL* xxxx lm (940lm-3200lm) custom lumens consult factory	40 4000K	W 50° wide		
			NDL no downlight	XW 90° extra wide		
P9336.LV (3ft) 4"dia X 36"ht	30 3000K	LO 1880 lm	30 3000K	S 20° spot		
	35 3500K	HI 3750 lm	35 3500K	M 30° med		
	40 4000K	CL* xxxx lm (1400lm-4570lm) custom lumens consult factory	40 4000K	W 50° wide		
			NDL no downlight	XW 90° extra wide		



i.rod.4™ spec sheet 90CRI

LED

body illumination

flexible planar LED lighting sheet in 3000K, 3500K, or 4000K (90CRI), utilizing emitters rated at >77,000hrs L70 per TM21-11 from LM80 data. silver braid power cord standard.

downlight (optional)

add ribbed extrusion downlight housing (available in 2 anodized finishes or matte white powder coat paint). COB in 3000K, 3500K, or 4000K (90 CRI) rated >36,000 hours L70 (6.8K) per LM-80 test data, 71,000 hours projected life per IEM TM-21. choose from four beam spreads.

downlight optics

LEDiL® Angelina 82mm dia 31mm high (RoHS compliant) available in 20° spot, 30° medium, 50° wide with specular anodized finish. 90° extra wide features matte white highly reflective finish. color mixing sublens standard. standard mounting clamp allows for easy replacement of reflector in field. the typical total beam angle is the full angle measured where the luminous intensity is half of the peak volume.

end caps

comprised of two graduated diameter .100" thick aluminum plates. designed to center the acrylic diffuser and block light leaks. powder coat painted matte white.

driver

programmable, class 2, class P universal input (120-277v), constant current, 0-10v dimming, 1% minimum dimming level, PF >.9, THD <20%, protections include open and short circuit, overload and over temperature. remote driver enclosure standard. consult factory for distances over 33 feet.

diffuser

4" dia. .118" Satinice white acrylic cylinder, featuring light diffusion beads evenly distributed throughout the material for optimum light diffusion.

mounting

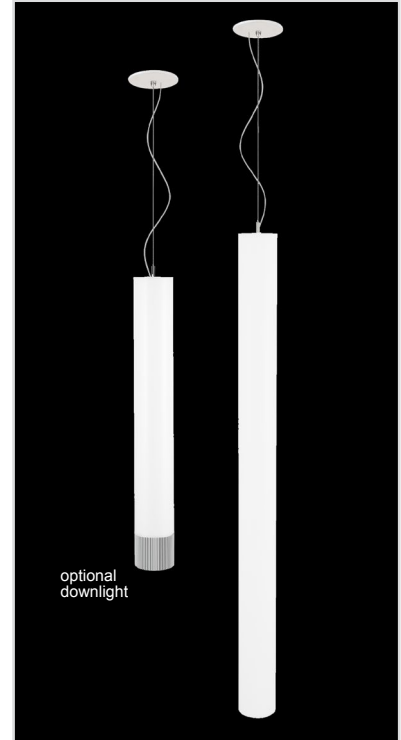
5" matte white canopy. single stainless steel cable and field adjustable gripper that allows for exact AFF mounting heights. silver braid power cord standard.

CDVR (optional)

7"dia. spun .064" aluminum canopy in matte white for surface mounted driver.

emergency

recommend use of inverter (by other).
 optional WREM: wired for remote EM battery (by other).



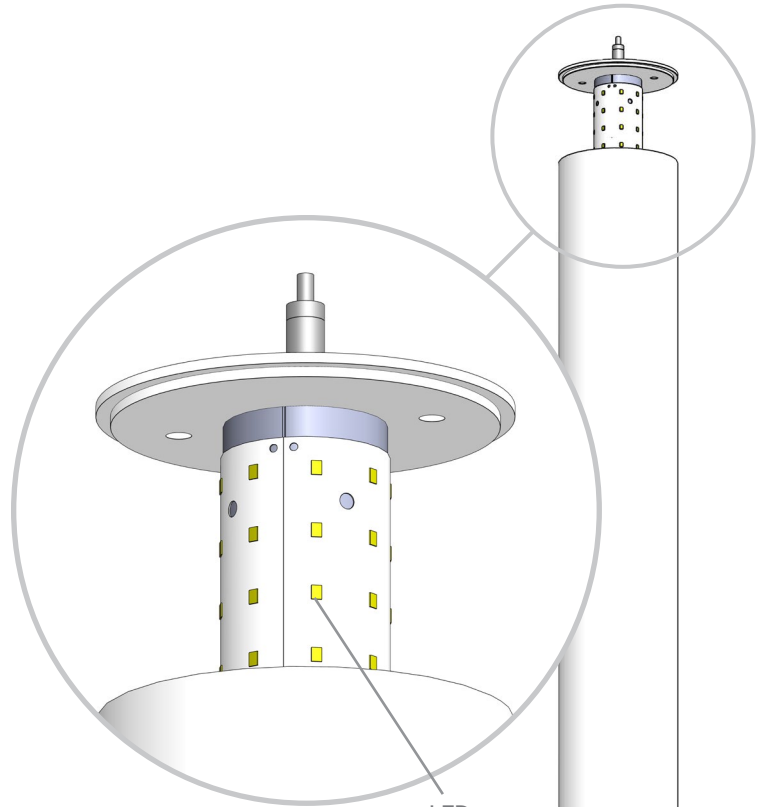
catalog number

size	body illumination		downlight		downlight housing	options
	CCT	lumens	CCT	beam	finish	
P9348.LV (4ft) 4"dia X 48"ht	30 3000K	LO 2400 lm	30 3000K	S 20° spot	AN silver anodized	6FT 72" cable
	35 3500K	HI 4300 lm	35 3500K	M 30° med	ANB anodized black	12FT 144" cable
	40 4000K	CL* xxxx lm (1900lm-6450lm) custom lumens consult factory	40 4000K	W 50° wide	MW matte white powder coat	CDVR surface-mounted driver canopy
P9372.LV (6ft) 4"dia X 72"ht	30 3000K	LO 3600 lm	30 3000K	S 20° spot		WREM wired for remote EM battery pack (by other) (see note above)
	35 3500K	HI 6450 lm	35 3500K	M 30° med		ELD EldoLED*
	40 4000K	HX 7500 lm	40 4000K	W 50° wide		LUT Lutron* *consult factory
		CL* xxxx lm (3000lm-9100lm) custom lumens consult factory	NDL no downlight	XW 90° extra wide		



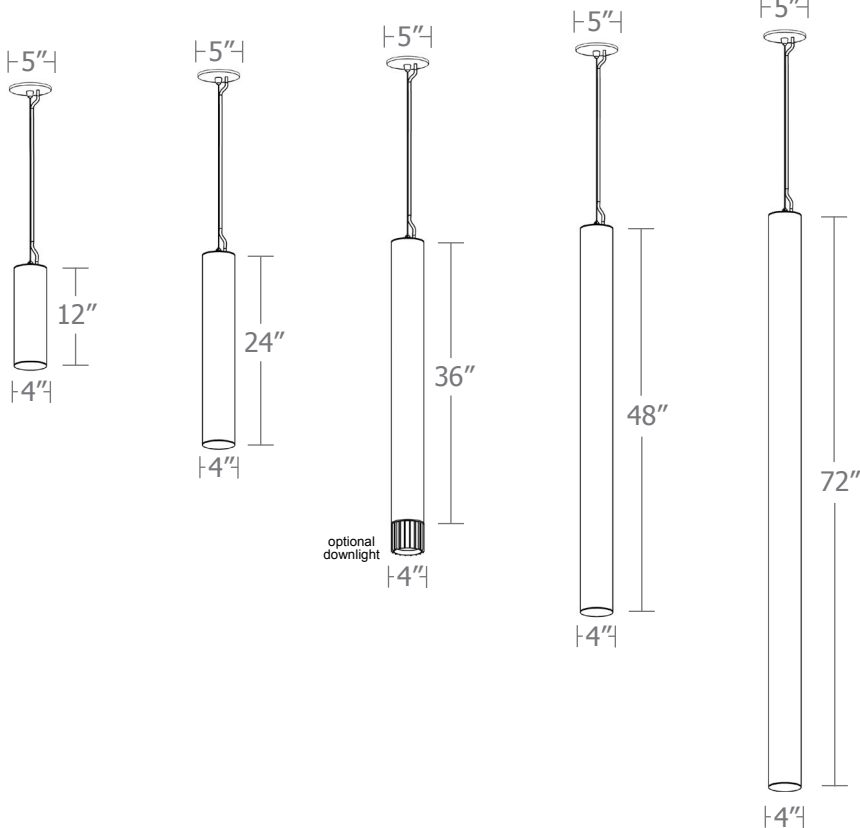


optional downlight (detail)



LED lighting sheet

diffuser

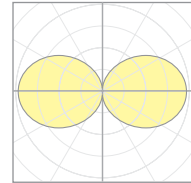


Calculation Table

The application of a Light Loss Factor is required to:

- match the lumen output for the power module specified
- incorporate the increased lumen output due to LED/Driver upgrades

Cat No		Delivered* Lumens	Watts 120V / 277V	IES File #	LLF to be applied
P9312.LV	LO	995	10	12206	.48
P9312.LV	HI	1400	15	12206	.67
P9324.LV	LO	1400	15	12206	.67
P9324.LV	HI	2150	23	12206	1.03
P9336.LV	LO	1880	20	12206	.90
P9336.LV	HI	3750	40	12206	1.80
P9348.LV	LO	2400	25	12208	.56
P9348.LV	HI	4300	45	12208	1.00
P9372.LV	LO	3600	38	12208	.84
P9372.LV	HI	6450	68	12208	1.51
P9372.LV	HX	7500	79	12208	1.75

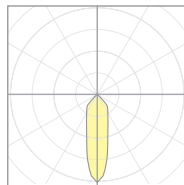


12208
P9348-40HI

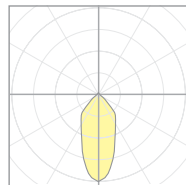
*delivered lumens based on 4000K, 90 cri

Downlight	Delivered* Lumens	Watts 120V / 277V	IES File #	LLF to be applied
	1300	14	20921 spot	.40
			20922 med	.40
			20923 wide	.40
			20924 x-wide	.40

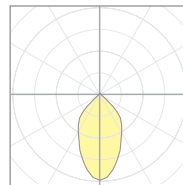
*delivered lumens based on 4000K, 90+ cri



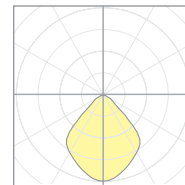
20921
P7506-S-40H3
S 20° spot



20922
P7506-M-40H3
M 30° med



20923
P7506-W-40H3
W 50° wide

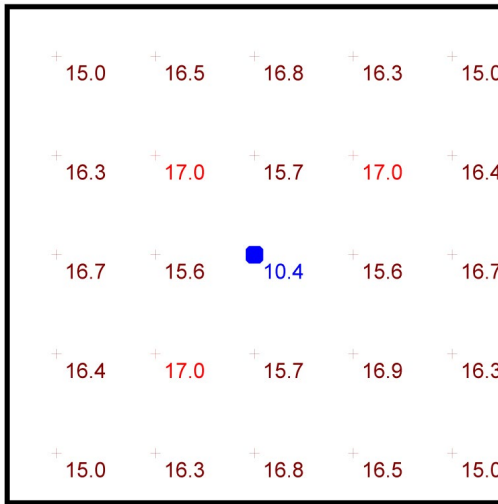


20924
P7506-EW-40H3
XW 90° extra wide



Typical Lighting Layout

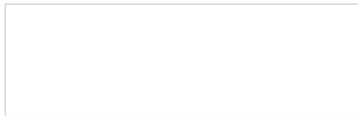
Statistics						
Description	Symbol	Avg	Max	Min	Max/Min	Avg/Min
i.rod.4	+	16.0 fc	17.0 fc	10.4 fc	1.6:1	1.5:1



Plan View
Scale - 1" = 2ft

- 10' x 10' x 16'H space
- 80/50/20 reflectances
- bottom of fixture at 8' aff
- FC readings at 2.5' aff
- layout conducted using P9372 7500 lumens (HX) output unit

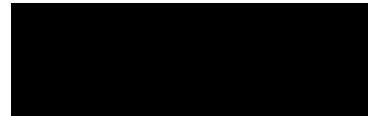
Downlight Housing Finish



MW matte white



AN silver anodized



ANB anodized black



optional downlight (detail)

